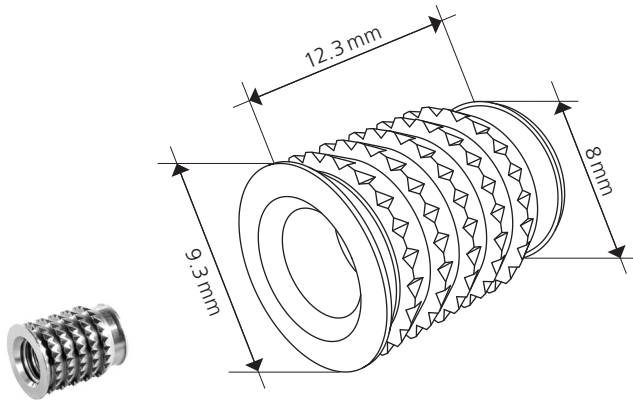


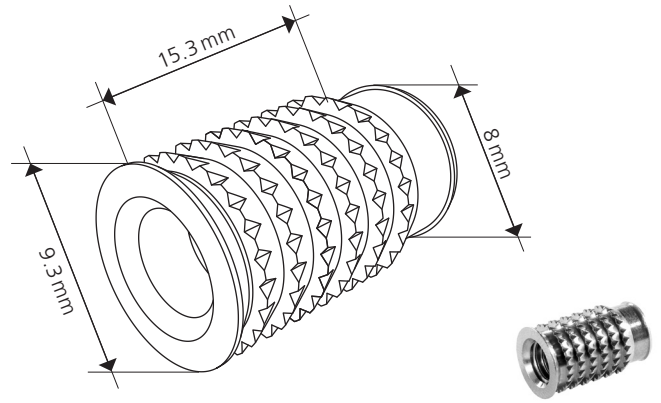


Cabineo Muffe / Cabineo insert

Pat. pend.

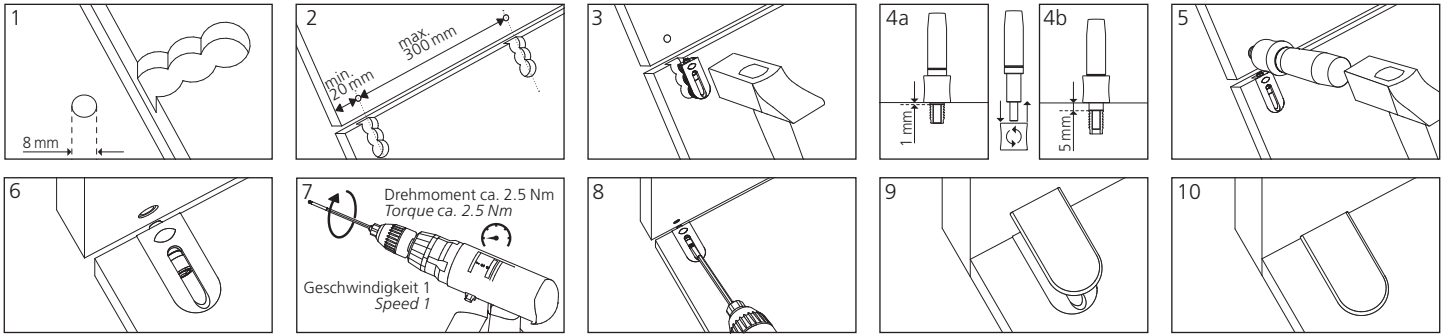


Cabineo Muffe M6x12.3
Cabineo insert M6x12.3



Cabineo Muffe M6x15.3
Cabineo insert M6x15.3

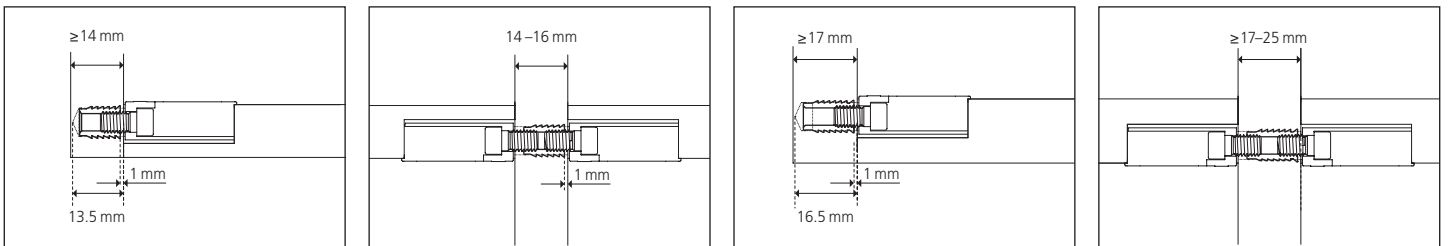
Montage / Assembly:



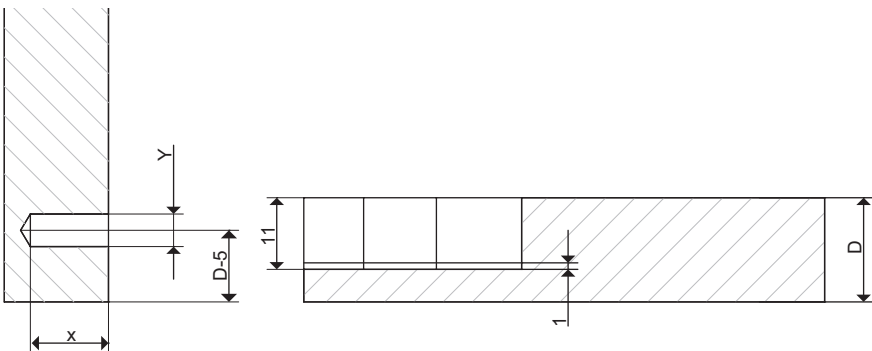
Anwendungen / Applications:

Ab 14 mm Material: Muffe M6x 12.3 / From 14 mm material: insert nut M6x 12.3

Ab 17 mm Material: Muffe M6x 15.3 / From 17 mm material: insert nut M6x 15.3



Bearbeitung: Seite / Machining: Side panel



	X [mm]	Y = Ø [mm]
Cabineo 8 M6*	8	5
Muffe / Insert M6x12.3	13.5	8
Muffe / Insert M6x15.3	16.5	8

* Metrisches ISO-Gewinde DIN 13-1 / * Metric ISO thread DIN 13-1



Keine Holzdübel notwendig! / No dowel necessary!

keine Kantenbearbeitung / weniger Bohrungen / weniger Werkzeugwechsel / keine Dübelmontage
no edge drilling / less drill holes / less tool change / no pre-assembly of dowel



Technische Informationen / Technical information:

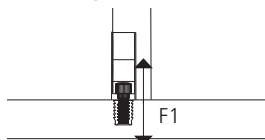
Technische Daten	
Grösse	12.3 / 15.3 × 9.3 × 9.3 mm
Gewinde	M6
Bohrer	Ø 8 mm
Material	Messing
Einbautoleranz	Längs ± 0.1 mm

Technical data	
Size	12.3 / 15.3 × 9.3 × 9.3 mm
Thread	M6
Drill hole	Ø 8 mm
Material	Brass
Installation tolerance	Longitudinal ± 0.1 mm

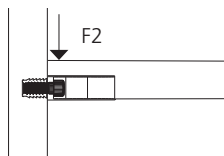
Festigkeit pro Verbinder ohne Dübel / Technical values without dowel (N)

in Spanplatte / in particule board	Muffe / insert	Muffe / insert
19 mm	M6 12.3	M6 15.3
Zugfestigkeit / Tensile strength (F1)	750	900
Scherfestigkeit / Shear strength (F2)	1050	1200
Scherfestigkeit / Shear strength (F3)	400	400
Spannkraft / Clamping force (F4)	750	900

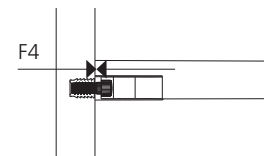
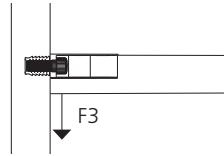
10 N ~ 1kg



Zugfestigkeit / Tensile strength



Scherfestigkeit / Shear strength



Spannkraft / Clamping force

Artikel	Art.Nr.
Cabineo Starterset, Cabineo 8 + 12 (je 40 Stück), inkl. Cabineo Sechskant-Bit und Abdeckkappen (40 Stück).	186305
Cabineo 8, für Mittelwände, 500 Stück	186310
Cabineo 8, für Mittelwände, 2000 Stück	186311
Cabineo 12, 500 Stück	186320
Cabineo 12, 2000 Stück	186321
Cabineo 8 black, für Mittelwände, 500 Stück	186340
Cabineo 8 black, für Mittelwände, 2000 Stück	186341
Cabineo 12 black, 500 Stück	186330
Cabineo 12 black, 2000 Stück	186331
Cabineo 8 M6 Starterset, Cabineo 8 M6 (80 Stk), Muffen und Abdeckkappen (je 40 Stk), Cabineo Sechskant-Bit (1 Stk), Cabineo Muffe Einschlaghilfe (1 Stk)	186306
Cabineo 8 M6, metrisches Gewinde M6, 500 Stück	186315
Cabineo 8 M6, metrisches Gewinde M6, 2000 Stück	186316
Cabineo 8 M6 black, metrisches Gewinde M6, 500 Stück	186345
Cabineo 8 M6 black, metrisches Gewinde M6, 2000 Stück	186346

Zubehör	Art.Nr.
Cabineo Werkzeug mit Griff	256300
Cabineo Sechskant-Bit	276312
Cabineo Sechskant-Bit 1/4" GL 80mm	276306
Cabineo Sechskant-Bit 1/4" GL 80mm, 100 Stk.	276307
Cabineo Bohrer Ø 15 mm mit Zentrierspitze 0.8 mm	136312
Cabineo Fräser Ø 10 mm	136310
Cabineo Fräser Ø 12 mm	136311
Cabineo Aggregat-Bohrer Set 3 Stk. Ø15mm (RL/LL/RL) HW	136313
Cabineo Muffe M6x12.3*, Mat. 14–16 mm, 100 Stück	186370
Cabineo Muffe M6x12.3*, Mat. 14–16 mm, 500 Stück	186371
Cabineo Muffe M6x15.3*, Mat. 17–25 mm, 100 Stück	186375
Cabineo Muffe M6x15.3*, Mat. 17–25 mm, 500 Stück	186376
Cabineo Einschlaghilfe für Muffe	276310

Abdeckkappen**	Art.Nr. 100 Stk.	Art.Nr. 2000 Stk.
Signalweiss RAL 9003	186350S	186351S
Braunbeige RAL 1011	186350B	186351B
Tiefschwarz RAL 9005	186350T	186351T
Metalloptik Silber	186350C	186351C

* Inkl. 1 Stück Cabineo Einschlaghilfe für Muffe

** Umfassendes Sortiment in diversen Farben und Materialien finden Sie in unserem Produktkatalog S.101.

Articles	Part no.
Cabineo Starter Set, Cabineo 8 + 12, 40 pcs. each, Cabineo hex bit, set of cover caps	186305
Cabineo 8, for dividing panels, 500 pcs.	186310
Cabineo 8, for dividing panels, 2000 pcs.	186311
Cabineo 12, 500 pcs.	186320
Cabineo 12, 2000 pcs.	186321
Cabineo 8 black, for dividing panels, 500 pcs.	186340
Cabineo 8 black, for dividing panels, 2000 pcs.	186341
Cabineo 12 black, 500 pcs.	186330
Cabineo 12 black, 2000 pcs.	186331
Cabineo 8 M6 starter set, Cabineo 8 M6 (80 pieces), insert nut and cover caps (40 pieces each), Cabineo insert nut tapping aid (1 piece), Cabineo hex bit 1/4" (1 piece)	186306
Cabineo 8 M6, metric thread M6, 500 pieces	186315
Cabineo 8 M6, metric thread M6, 2000 pieces	186316
Cabineo 8 M6 black, metric thread M6 M6, 500 pieces	186345
Cabineo 8 M6 black, metric thread M6 M6, 2000 pieces	186346

Accessories	Part no.
Cabineo tool with handle	256300
Cabineo hex bit	276312
Cabineo hex bit 1/4" GL 80mm	276306
Cabineo hex bit 1/4" GL 80mm, 100 pieces	276307
Cabineo drill Ø 15 mm with short centering point 0.8 mm	136312
Cabineo cutter Ø 10 mm	136310
Cabineo cutter Ø 12 mm	136311
Cabineo drills for aggregate, set with 3pcs Ø15mm (RL/LL/RL) carbide tipped	136313
Cabineo insert nut M6x12.3*, mat. 14–16 mm, 100 pieces	186370
Cabineo insert nut M6x12.3*, mat. 14–16 mm, 500 pieces	186371
Cabineo insert nut M6x15.3*, mat. 17–25 mm, 100 pieces	186375
Cabineo insert nut M6x15.3*, mat. 17–25 mm, 500 pieces	186376
Cabineo tapping aid for insert nut	276310

Cover caps**	Part no. 100 pcs.	Part no. 2000 pcs.
Signal white RAL 9003	186350S	186351S
Brown beige RAL 1011	186350B	186351B
Jet black RAL 9005	186350T	186351T
Metal look silver	186350C	186351C

* Inkl. 1 piece Cabineo tapping aid for insert nut

** An extensive range in various colours and materials can be found in our product catalogue on page 101.